



You May Also Be Interested In:



XIL-OP110C
Chrome Housing



XIL-OP110S
Silver Housing



XIL-OP110W
White Housing



XIL-OPHANDLE
Hand Held Mount



MIL-OP110
Industrial Single Stud Mount



XPC-B65
Portable 12V Power Source



XIL-PDIMMERBUTTON
Switch Between 100% and
50% Brightness



XIL-PDIMMER
Swivel Between 100% and
50% Brightness

OPTIMUSSERIES

Installation Instructions & User's Manual



www.VISIONXUSA.com

VISION X OPTIMUS SINGLE KIT

OPTIMUS SERIES



Installation Instructions & User's Manual



FEATURES

- 1) Single 10-watt LED Produces 693' of Usable Light
- 2) Integrated Electronic Thermal Management (ETM)
- 3) PWM Integrated Dimming Circuitry

OPTIMUS XIL-OP100 SERIES SPECIFICATIONS

- | | |
|-------------------|--------------------------------|
| 1) Warranty | : Extended |
| 2) Housing Colors | : Black, Chrome, Silver, White |
| 3) Beam Patterns | : 10°, 30°, 40°, 60° |
| 4) Mounting Depth | : 3.80" |
| 5) LED Lifespan | : 50,000 Hours |

PREPARATION

- 1) We recommend completely reading instructions before installing.
- 2) Consult your local or state regulatory agency regarding the use of LED lighting.
- 3) The placement of LED lighting should not restrict airflow to the radiator or block head lamps, turn signals, or parking lights.

MAINTENANCE

- 1) All VISION X models have been designed for maintenance free use. In the case a LED lamp or other part replacement please contact your authorized service center.

1 LED Light Pod  MOUNTING Qty: 2	2 Two Light Harness  WIRING Qty: 1	3 Hex Head Bolt (5mm)  Part (M1) Qty: 2
4 Allen Key (5mm)  Part (M5) Qty: 1	5 Washer (5mm)  Part (M2) Qty: 2	6 Nylock Nut (5mm)  Part (M3) Qty: 2

WARNINGS

As with many other high-tech products, this VISION X LED requires a bit of attention before you can use it. Please read the accompanying information carefully first.

- 1) Don't stare directly into the light or shine directly into the eyes of another person as this may cause temporary loss of vision.
- 2) Never disassemble the products, as all parts must be factory serviced to insure proper operation.
- 3) Don't interchange the parts inside this light with other products.
- 4) The LED light is to be mounted on the vehicle only in a vertical, bottom-mounting, or in a suspended position.
- 5) After turning on the light, the body might be hot enough to warrant a burn risk. Be careful when you touch the body after turning on the light for a long period of time.
- 6) Use the supplied wire harness for electrical installation.
- 7) The LED light must not adversely affect the performance of low beam, high beam, engine cooling or the driver's view.

VISION X OPTIMUS SINGLE KIT

OPTIMUSSERIES

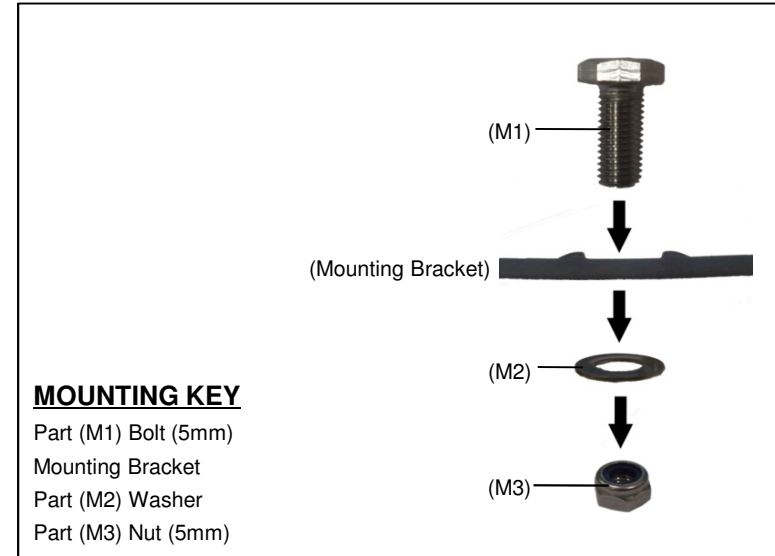


MOUNTING INSTALLATION

- 1) Determine where the light/lights will be placed
- 2) Hold mounting bracket with light to desired mounting surface. Using a marker or pick tool, mark the bolt hole on the desired mounting surface
- 3) Set the light aside. Find the center point of the hole you have marked out and drill out a large enough hole to fit the 5mm bolt [Part M1]
- 4) Remove the Mounting Bracket from Light by unscrewing the (2) 5mm Allen Head Bolts [Part M4], one on each side
- 5) Set Bracket down on Desired Mounting Surface, Lining up the Hole in the center of Mounting Bracket with the Hole you just Drilled, Slide 5mm Bolt [Part M1] through both
- 6) On the other side of Mounting Surface slide 5mm Washer [Part M2] and 5mm Nylock Nut [Part M3] onto 5mm Bolt. [Part M1] Tighten Nut [Part M3] & Bolt [Part M1] to Desired Tightness
- 7) Hold Light in Mounting Bracket while screwing in the (2) 5mm Allen Head Bolts [Part M4], one on each side. Use 5mm Allen Key [Part M5] to tighten both 5mm Allen Head Bolts [Part M4] to Desired Tightness

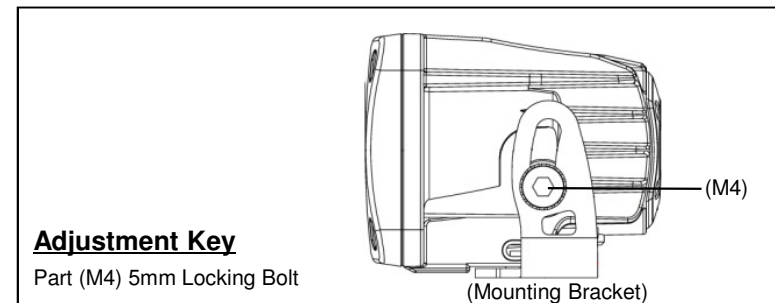
WARNING: Bolts, Nuts, & Washers are Stainless Steel.

Do Not Use Pneumatic or Electric Tools to Tighten & Loosen
or the Hardware Will Permanently Lock Together



LIGHT ANGLE ADJUSTMENT

- 1) Use the 5mm Allen Key [Part M5] to loosen each of the Allen Head Bolts [Part M4] on either side of the light.
- 2) Adjust the light until you have your desired angle.
- 3) Then, tighten the Allen Head bolts [Part M4] to hold the desired position.



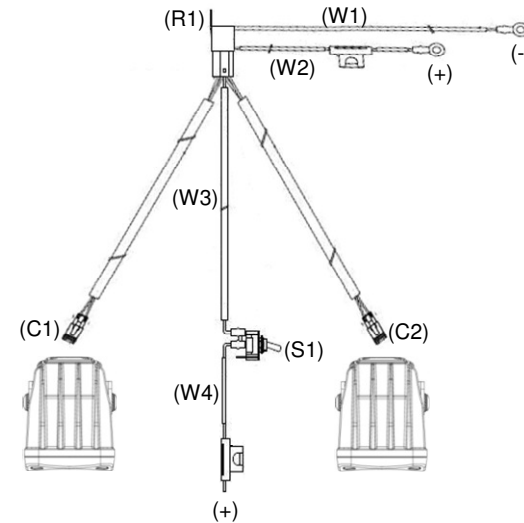
VISION X OPTIMUS SINGLE KIT

OPTIMUSSERIES

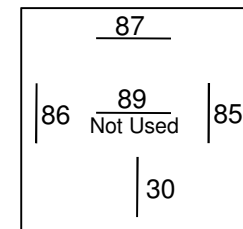


WIRING INSTALLATION

- 1) Find a suitable place to mount Relay [Part R1] leaving enough room for Power & Ground Wire [Parts W1 & W2] to reach the Battery & the Deutsch Connector Wiring [Parts C1 & C2] to reach the Lights. Mount Relay.
- 2) Run Power Wire [Part W1] & Ground Wire [Part W2] to the Battery. Connect the Power Wire [Part W1] to the Positive (+) Battery Terminal & connect the Ground Wire [Part W2] to the Negative (-) Battery Terminal.
- 3) Run the Deutsch Connector Wiring [Parts C1 & C2] to each Light and Plug in. It doesn't matter which Deutsch Connector plugs into which Light.
- 4) Unplug Power Wire [Part W3(+)] from the Toggle Switch [Part S1]. Run Power Wire [Part W3(+)] to the Vehicles Fire Wall at the point that you will bring the Wire through to the inside of the Cab (using a Factory Rubber or Plastic Grommet is suggested). Run Power Wire [Part W3(+)] to the inside of the Cab. Note: This Wire can be extended if necessary.
- 5) Find a suitable place to Drill the Hole needed to mount the Toggle Switch [Part S1] and Continue to run the Power Wire [Part W3(+)] to that location. Plug the Power Wire [Part W3(+)] into Outside Pin of Toggle Switch [Part S1]. It doesn't matter which Outside Pin you use.
- 6) Drill the Hole to the required size for the Threaded Neck Portion of the Toggle Switch [Part S1]. Mount Toggle Switch [Part S1].
- 7) Find a Factory Positive (+) Constant Wire, Positive (+) Ignition Wire, or Positive (+) Parking Light Wire depending on how you want your Toggle Switch [Part S1] to operate your Vision X Lights. This is the Wire that you will connect the Power Wire [Part W4(+)] to. There are many different ways to connect or "Tap" into a Wire (soldering is suggested).
- 8) Connect the Power Wire [Part W4(+)] to the Factory Positive (+) Wire you have chosen.
 - 1) If you selected a Constant Wire to Connect the Power Wire [Part W4(+)] to then you will be able to use the Toggle Switch to turn you Vision X Lights On & Off at all times.
 - 2) If you selected an Ignition/Acc Wire to Connect the Power Wire [Part W4(+)] to then you will have to have the Ignition turned on to use the Toggle Switch to turn you Vision X Lights On & Off.
 - 3) If you selected a Parking Light Wire to Connect the Power Wire [Part W4(+)] to then you will have to have the Parking Lights turned on to use the Toggle Switch to turn you Vision X Lights On & Off.



Example Relay



COMPONENTS KEY

- Part (R1) Relay
- Part (W1) Ground Wire for Relay Coil
- a. 12 Volt Negative (-) Input Wire for Relay Pin 86
- Part (W2) Power Wire for Relay Coil
- a. 12 Volt Positive (+) Input Wire for Relay Pin 30
- Parts (C1 & C2) Deutsch Connectors for Lights
- a. Attached to 12 Volt Positive (+) Power Wires for Relay Pin 87
- Part (W3) Power Wire for Relay Input
- a. 12 Volt Positive (+) Input Wire for Relay Pin 85 [Part R1]
- Part (S1) Toggle Switch
- Part (W4) Power Wire for Switch Input
- a. 12 Volt Positive (+) Input Wire for Switch [Part S1]0